



ATLANTIC VERTICAL **MULTI** VARIABLE THICKNESS GLASS WASHERS

The Atlantic Vertical Multi washer is designed to process glass up to 50mm. The washer body is split in two, with the front being motorised to achieve the correct glass thickness settings. The movement mechanism is externally mounted ensuring reliability.

FEATURES

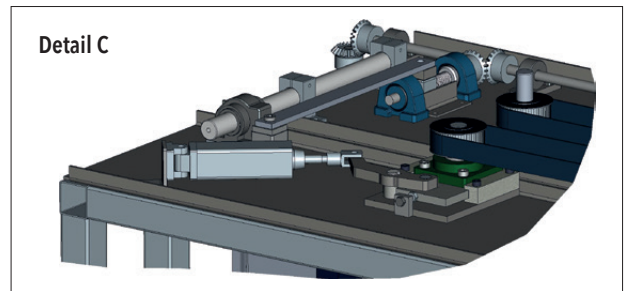
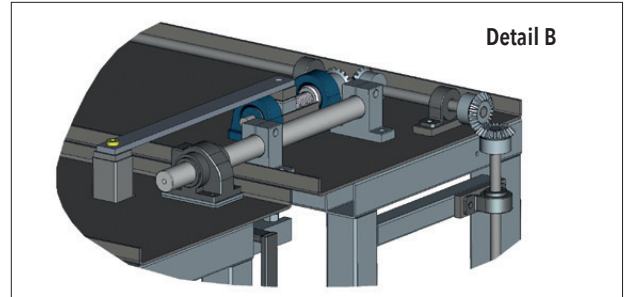
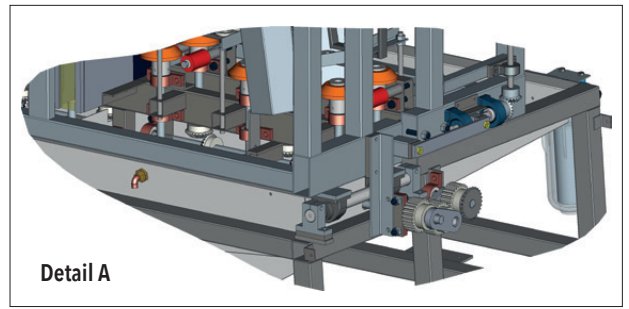
- ▶ Extremely robust stainless steel chassis. All internal metal components are stainless steel including shafts and bearings for easy maintenance
- ▶ The motorised front section contains half of the washers main components: rotary brushes, drive gear, air knives
- ▶ Glass thickness displayed digitally
- ▶ Working height 760mm (bottom edge of glass)
- ▶ Individual inverter drives for brushes and conveyor motors
- ▶ Low water cut-out switches
- ▶ Choice of running direction
- ▶ Safety isolator door switches
- ▶ Internal safety sensor for the wrong thickness setting
- ▶ Air blowers with hot and cold switching.

OPTIONS

- Different infeed/outfeed racks
- Choice of rotary brushes
- Automatic air shut off valve
- 1st Rotary brush pneumatically controlled for coated glass
- Conveyorised racking

ATLANTIC VERTICAL **MULTI** VARIABLE THICKNESS GLASS WASHERS

Atlantic Multi Variable Thickness							A	B	C	D	E			
Machine Type	Washable Height (mm)	Brushes	Tanks Wash Stages	Top Design	Length (mm)	Glass Thickness (mm)	Conveyorised		Overall Height (mm)	Overall Width (mm)	Overall Depth (mm)	Speed m/min	Weight (Kg)	Power (kW)
							Input (mm)	Output (mm)						
ATL-V-MULTI-15-4B	1500	4	3	Closed	280	3-50	2000	2400	2650	6400	1300	1-5	1300	14
ATL-V-MULTI-15-6B	1500	6	3	Closed	280	3-50	2000	2400	2650	6920	1300	1-5	1600	18
ATL-V-MULTI-21-4B	2100	4	3	Closed	280	3-50	2400	3000	3250	7400	1300	1-5	1600	24
ATL-V-MULTI-21-6B	2100	6	3	Closed	280	3-50	2400	3000	3250	7920	1300	1-5	1900	27
ATL-V-MULTI-25-6B	2500	6	3	Closed	320	3-50	3000	4000	3650	9520	1500	1-5	2300	28



ATL-V-MULTI-21-6B

Atlantic Multi Models

